

QV-IPD6A81CQ81B-FP

8-inch 8MP 38X Network Speed Dome



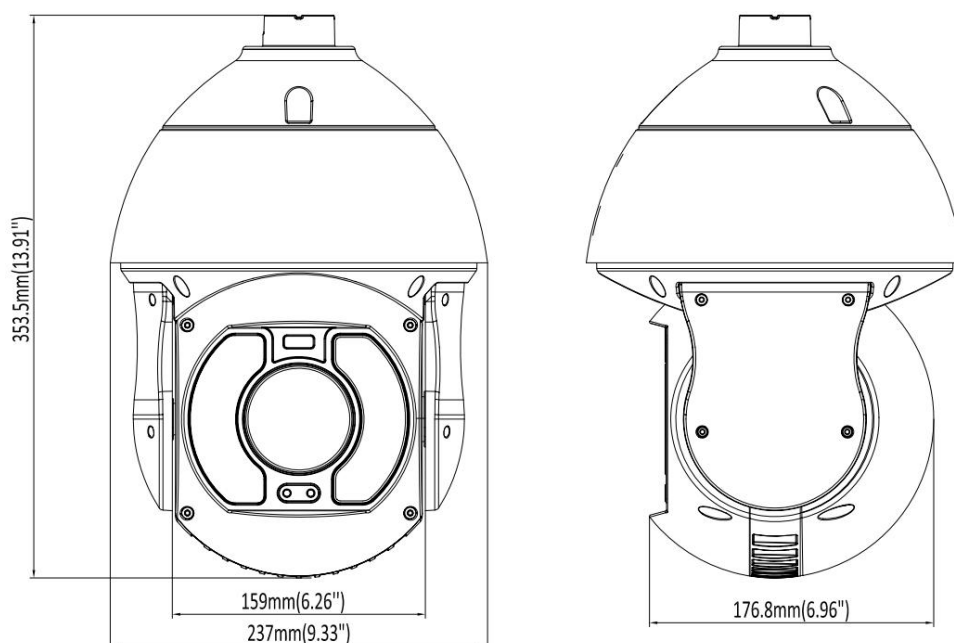
Pan-tilt-zoom camera with 8MP resolution, 38x optical zoom, providing great video quality in both overview and detail. With advanced deep learning algorithm, Qualvision PTZ camera supports intelligent functions, such as perimeter protection and smart motion detection to classify human and vehicle, significantly reducing false alarm rate as compared to standard intelligent features.



Key Features

- High quality imaging with 8MP resolution
- 38x optical zoom, provides close-up details
- Clear imaging against strong backlight due to 120 dB WDR technology
- Auto tracking
- IR range up to 250M
- iQSense technology: Focus on real threats by detecting humans/vehicles only, and filter out other moving objects

Dimensions





Specification

Camera	
Image Sensor	1/1.8" Progressive Scan CMOS
Min. Illumination	0.002 lux (ICR ON, AGC ON)
Illuminator Number	8 (IR light) 4 (Laser infrared lamp)
Illumination Distance	250 m (IR)
Smart IR	Support
Shutter Time	Auto/Manual, 1/3 ~ 1/10000s
Slow Shutter	Support
Day/Night	IR cut filter with auto switch
Wide Dynamic Range	120dB
Digital Noise Reduction	2D/3D DNR
Starlight	Support
Lens	
Focal Length	38X optical zoom/16X Digital Zoom , 5.7 ~ 216.6 mm
Aperture	F1.55 ~ F4.8
Pan & Tilt	
Pan Range	360°endless
Pan Speed	-0.8° ~ 160°/S
Tilt Range	-10°~90° (Auto Flip)
Tilt Speed	-1.4° ~ 66°/s
Proportional Zoom	Rotation speed can be adjusted automatically according to zoom multiples
Number of Preset	255
Power loss recovery	Support
Patrol	32 automatic Patrols
Pattern	8 patterns
Compression Standard	
Video Compression	H.264/H.264+/H.265/H.265+/MJPEG
H.264 Codec Profile	Base/Main/High profile
H.265 Codec Profile	Main profile
Video Bit Rate	11Kbps ~ 16MKbps



Triple Streams	Support
Audio Compression	G.711A/G.711U
Audio Bit Rate	64 Kbps
Image	
Max. Image Resolution	8MP (3840 × 2160)
Main Stream	50Hz: 25fps 8MP (3840 × 2160) 25fps 6MP (3200 × 1800) , 25fps 5MP (3072 × 1728) 25fps 4MP (2560 × 1440) , 25fps 1080P (1920 × 1080) 50fps 1080P (1920 × 1080) 60Hz: 30fps 8MP (3840 × 2160) 30fps 6MP (3200 × 1800) , 30fps 5MP (3072 × 1728) 30fps 4MP (2560 × 1440) , 30fps 1080P (1920 × 1080) 60fps 1080P (1920 × 1080)
Sub Stream	50Hz: 25fps 720P (1280 × 720) 25fps D1 (704 × 576) , 25fps CIF (352 × 288) 60Hz: 30fps 720P (1280 × 720) 30fps D1 (704 × 480) , 30fps CIF (352 × 240)
Third Stream	50Hz: 25fps CIF (352 × 288) 60Hz: 30fps CIF (352 × 240)
Image Setting	Brightness/Contrast/Saturation/Hue/Sharpness
BLC	Support
ROI	Support
Defog	Support
Smart Feature	
Basic Event	Motion detection,video tampering
Smart Event	Smart motion detection, line crossing detection, area intrusion, region entrance, region exiting (support alarm triggering by specified target types (human and vehicle), unattended object, object missing, fast moving, loitering detection, people gathering detection, parking detection, blurred detection, scene change detection, audio exception detection, crossing line statistics
Auto tracking	Support
Face Detection	Support
Network	
Network Storage	NAS (NFS/CIFS) ,ANR
Protocols	TCP/IP, ICMP, HTTP, HTTPS, FTP, DHCP, DNS, DDNS, RTP, RTSP, RTCP, NTP, IGMP, UPnP, SMTP, UPnP-TM, P2P, Bonjour
System Compatibility	Onvif, Profile S, CGI
Security	User authentication, IP address filtering, Video mask
User	40
Web Browsers	Plug-in required live view: IE 10, IE 11 Local service: Chrome 57.0+, Firefox 52.0+
Mobile Surveillance	IOS, Android



Interface	
Communication Interface	1 RJ45 10 M/100 M self-adaptive Ethernet port
On-board storage	Up to 256GB
MIC	N/A
Speaker	N/A
Audio I/O	1/1
Alarm I/O	1/1
Reset Button	Support
General	
Operating Conditions	(-30 °C ~ 60 °C) (-22 °F ~ 140 °F) Humidity 95% or less (non-condensing)
Power Supply	DC36V
POE	PoE (802.3 at)
Power Consumption	MAX. 25 W
Protection Level	IP66
Protection	6000V lightning protection, surge protection and anti-surge protection
Dimensions	Φ 237 × 353.5 mm (9.33" × 13.91")
Gross Weight	7.39 KG (16.29 lb)